

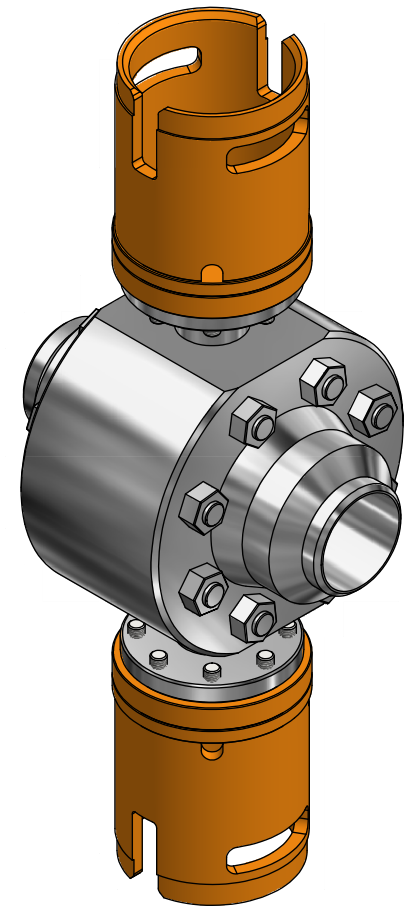
NOTE: 1
 DESIGN CODE:
 Standarder som er oppfylt og
 som kommuniseres på COC
 Web

NOTE: 2
 TECHNICAL CLASSIFICATION:
 Article Type: 007-Valves
 Main Group: 7.2. Ball-Valve
 Intermediate Group: 7.1014.10. 4"
 Sub Group: 7.1014.277.1. Intervention

NOTE: 3
 INTERFACE INFORMATION:
 Pressure Rating Bar: 154
 Material: N/A
 Weight: 169,1 kg
 Volume: 21611,6 cm³
 Surface Area: 15815 cm²
 Hydraulic: 4" WN
 Mechanical: N/A
 Electrical: N/A
 Com. & Protocol: N/A

NOTE: 4
 SPAREPARTS:
 N/A

NOTE: 5
 ADDITIONAL INFORMATION:



Rev.	Date	Reason for issue	Revision change	Made	Chk'd	Appr.
01	24.11.2015	2-IFT (Issued for Tender)				



Dwg Scale:	NTS
Dwg Proj:	
Dwg Format:	A3

Drawing title:	4 inch Ball valve Double Stem with Class 4 bucket	
Drawing number:	BA7637	Rev. 01